

# WORLD CLASS WINCHES

RELIABLE – DEPENDABLE – UNCOMPLICATED



## ROLLER FAIRLEAD

### Technical Data

#### *Dimensions*

#### *Opening*

#### *Roller diameter*

#### *Hole pattern*

#### *Weight*

### Product # 37.65.104

555x223x260

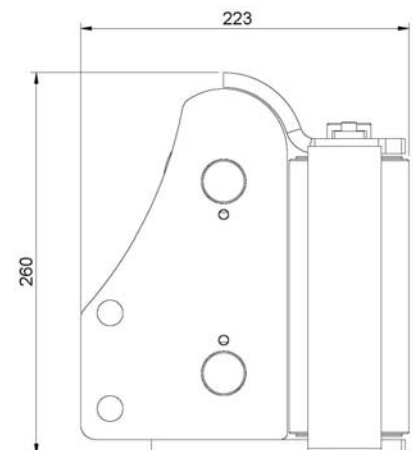
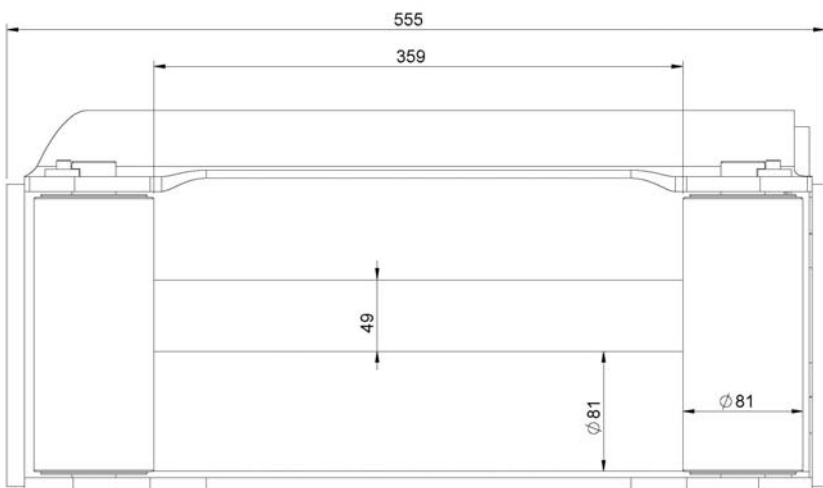
359x49

81mm

N/A

42 kg

### Dimensional drawing (mm)



Regarding vehicle interface please contact Sepson

