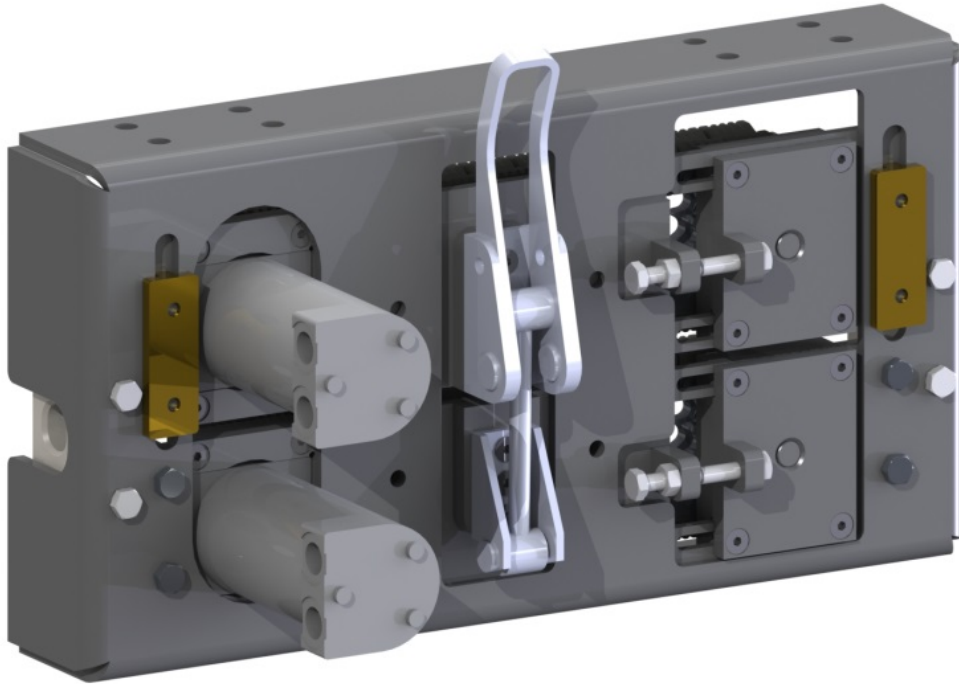


# WORLD CLASS WINCHES

RELIABLE – DEPENDABLE – UNCOMPLICATED

## Rope Controller Assy



### Technical Data

Product # 38.05-001

*Braking force*

1,5 kN

*Max. rope diameter*

16-20 mm

*Weight*

23 kg



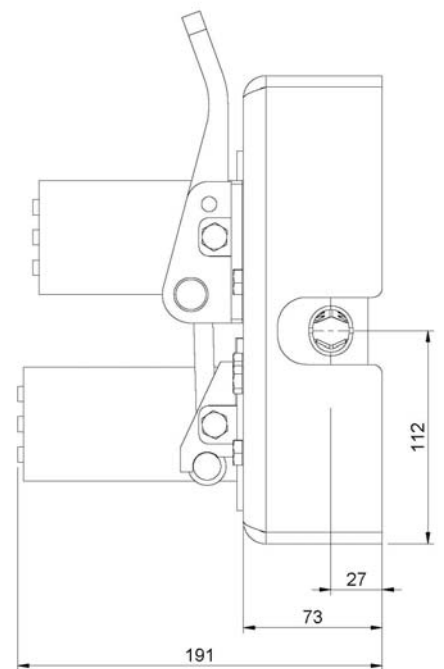
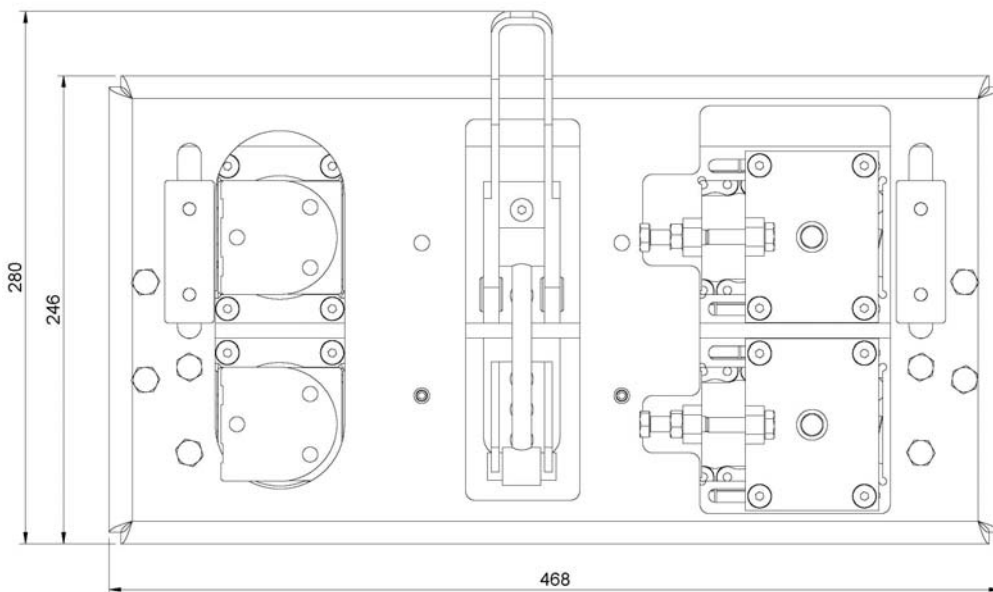
# WORLD CLASS WINCHES

RELIABLE – DEPENDABLE – UNCOMPLICATED

## Rope Controller Assy

Rope Controlling Device 38.05.100

**Dimensional  
drawing (mm)**



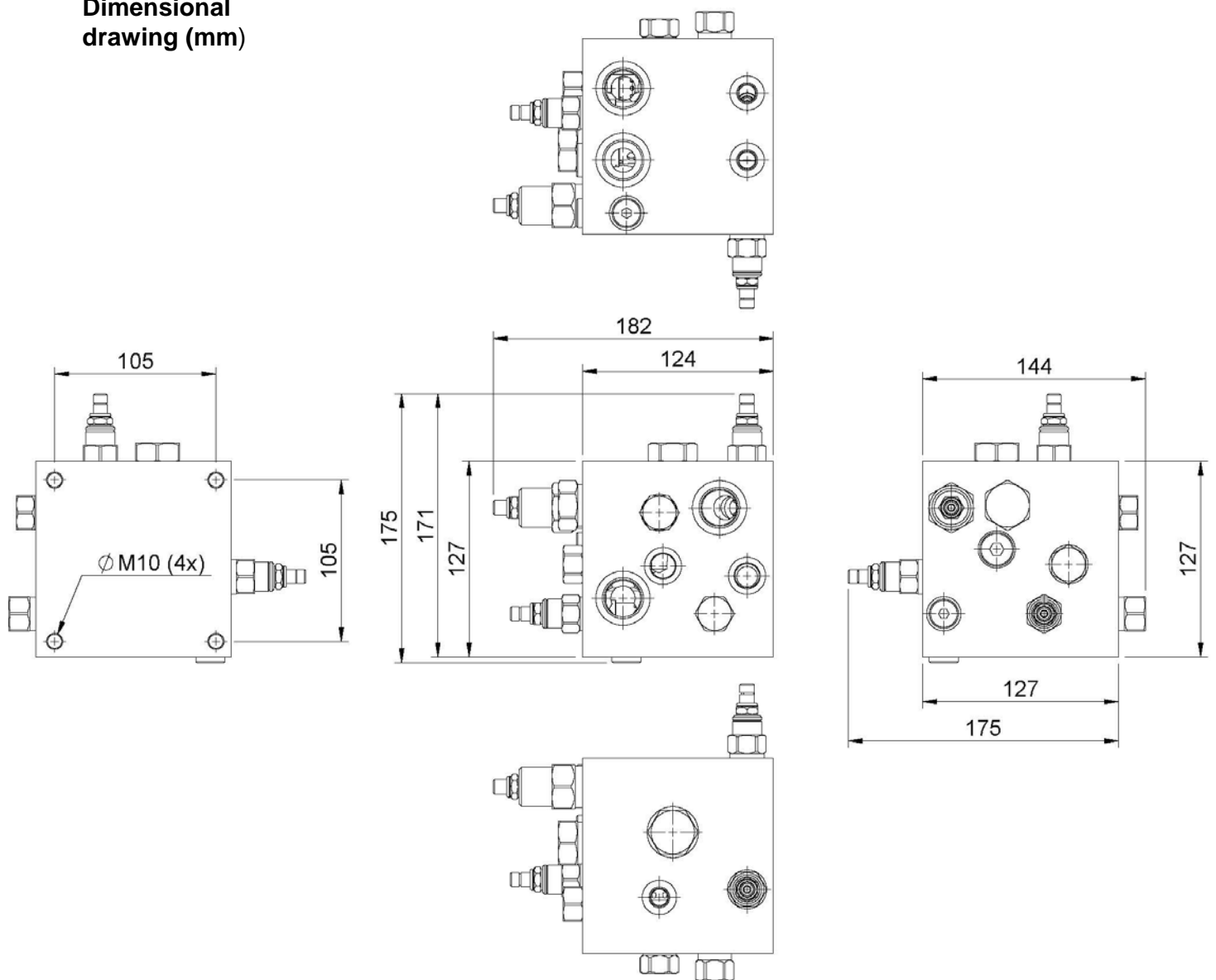
# WORLD CLASS WINCHES

RELIABLE – DEPENDABLE – UNCOMPLICATED

## Rope Controller Assy

Hydraulic control block 65.37.100-1

Dimensional  
drawing (mm)



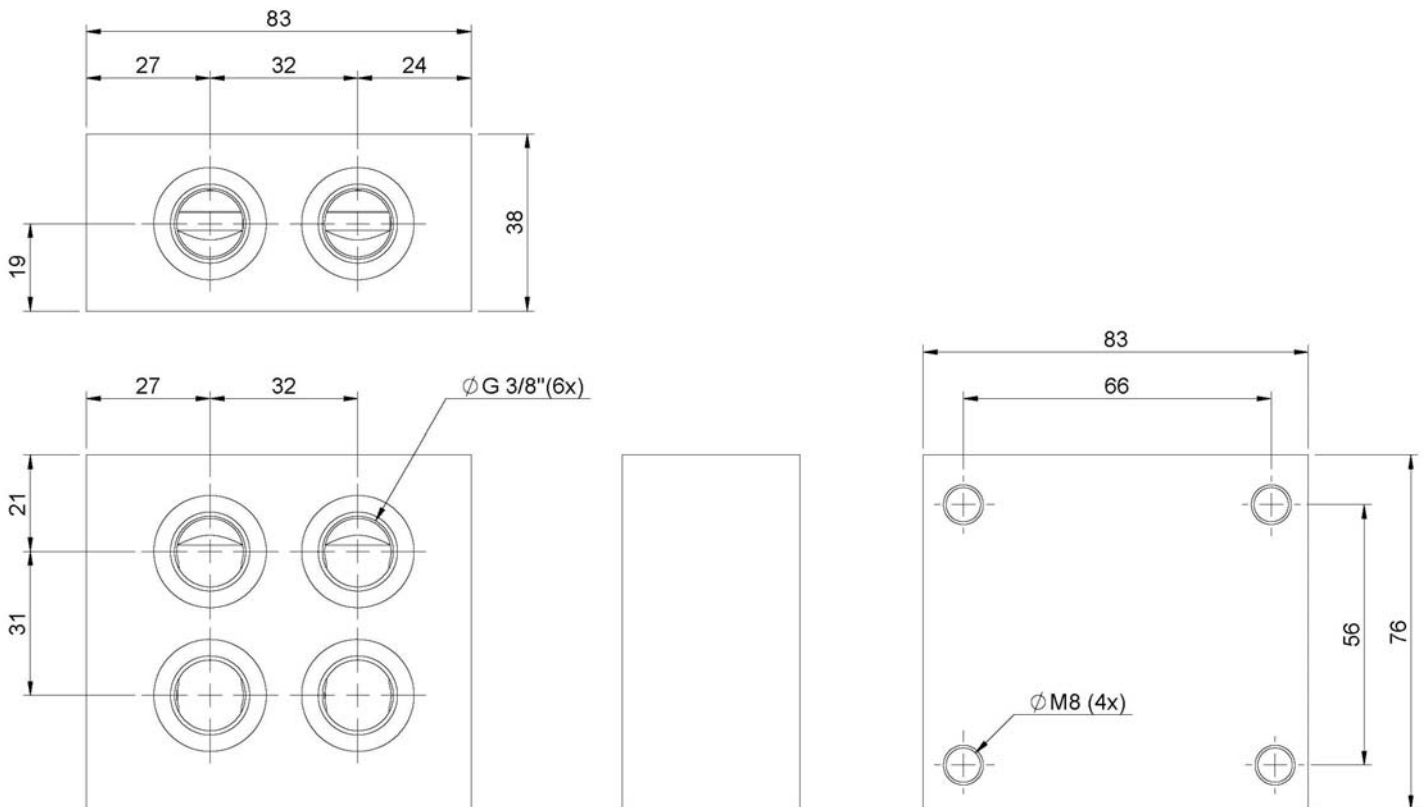
# WORLD CLASS WINCHES

RELIABLE – DEPENDABLE – UNCOMPLICATED

## Rope Controller Assy

Hydraulic transfer block 65.37.101

Dimensional drawing (mm)

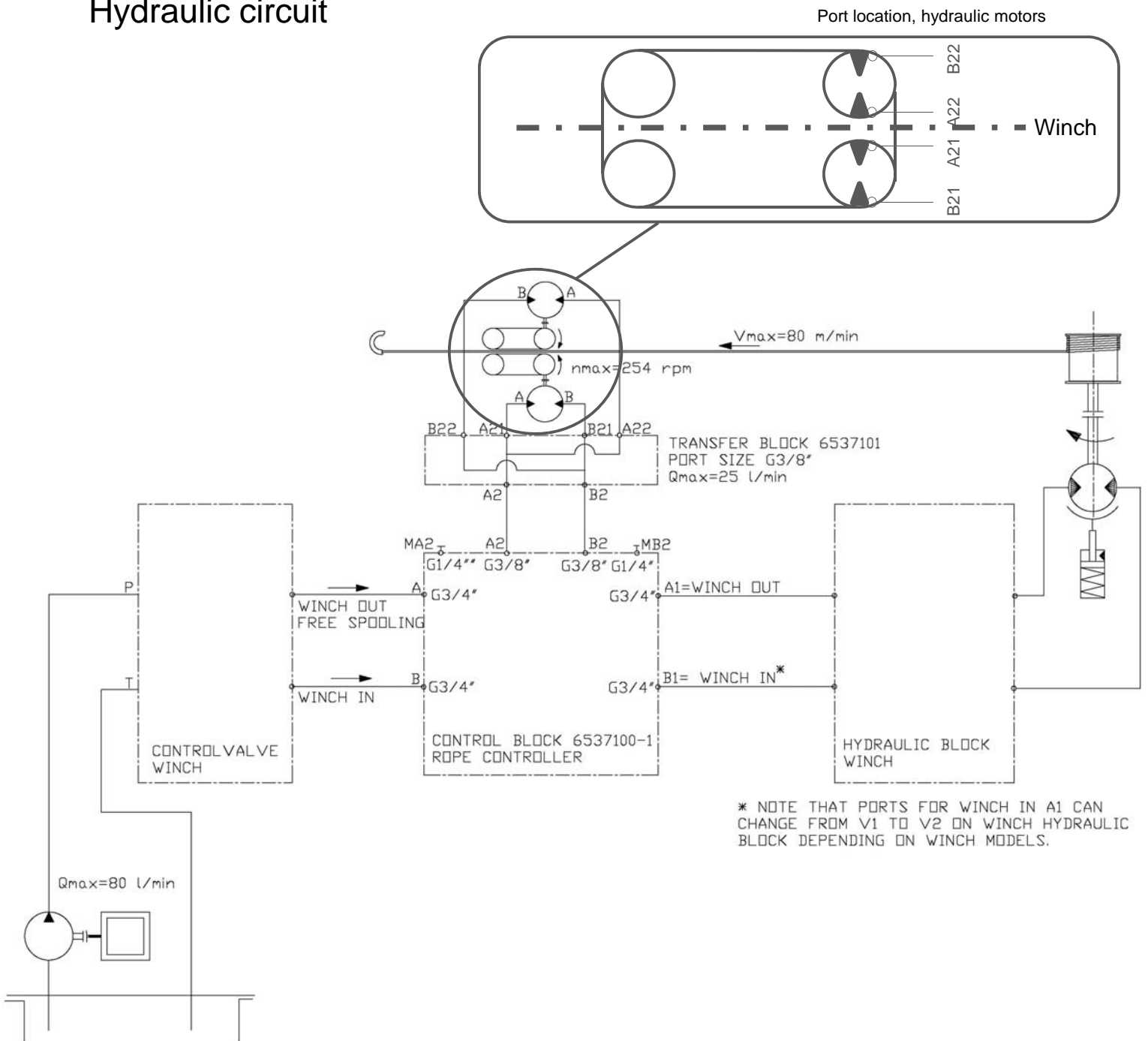


# WORLD CLASS WINCHES

RELIABLE – DEPENDABLE – UNCOMPLICATED

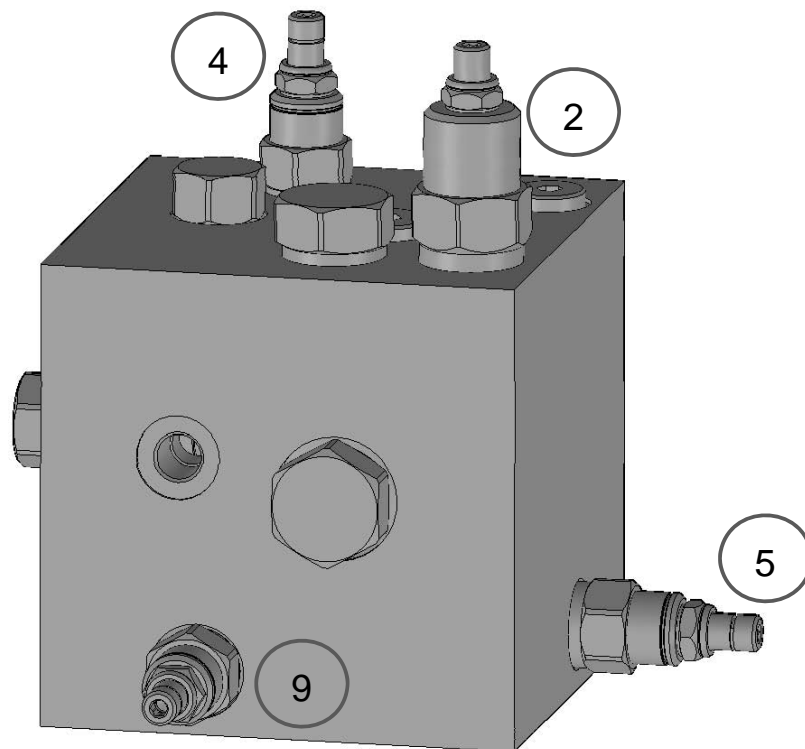
## Rope Controller Assy

### Hydraulic circuit



## Rope Controller Assy

Hydraulic control block 65.37.100-1



### Fine tuning of Hydraulic control block 6537100-1:

Valve 2: **Speed adjustment**; When winching OUT and the drum is free spooled.

Valve 4: **Pulling force adjustment**; When winching OUT the rope.

Valve 5: **Braking force adjustment**; Reducing the braking force during winching IN under full power, i.e. the force in the rope has exceeded 120 bar on the winch hydraulic block.

Valve 9: **Braking force adjustment**; When winching IN with slack rope.