

WORLD CLASS WINCHES

RELIABLE – DEPENDABLE – UNCOMPLICATED



SEPMATIC H60

Technical Data

Freespool clutch

Max. pulling force

- bottom rope layer
- top rope layer

Max. rope speed

- bottom rope layer
- top rope layer

Maximum oil pressure

Maximum oil flow

Rope drum diameter

Rope diameter

Rope length

Rope MBL (EN 14492-1)

Number of rope layers

Winch weight

Rope weight

Dimensional drawing (mm)

Product # 73.07-077

Pneumatic

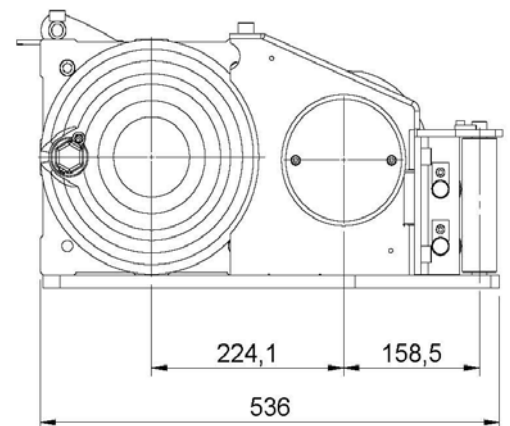
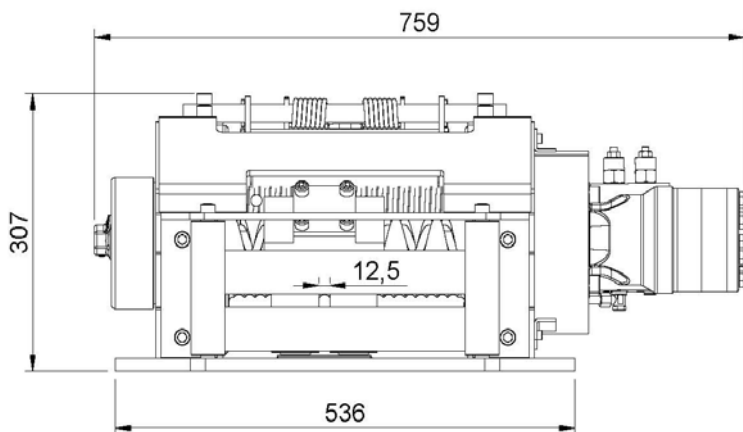
60 kN
35 kN

10 m/min
17 m/min

200 bar
70 l/min

126 mm
12 mm
60 m
≥ 120 kN
5

140 kg
48 kg



Compliant to EN 14492-1 and SAE J706

