

# WORLD CLASS WINCHES

RELIABLE – DEPENDABLE – UNCOMPLICATED



## SEPDURANCE H120S

### Technical Data

#### *Freespool clutch*

#### *Max. pulling force*

- bottom rope layer
- top rope layer

#### *Max. rope speed*

- bottom rope layer
- top rope layer

#### *Maximum oil pressure*

#### *Maximum oil flow*

#### *Rope drum diameter*

#### *Rope diameter*

#### *Rope length*

#### *Rope MBL (EN 14492-1)*

#### *Number of rope layers*

#### *Winch weight*

#### *Rope weight*

#### *Dimensional drawing (mm)*

### Product # 63.31-026

Pneumatic

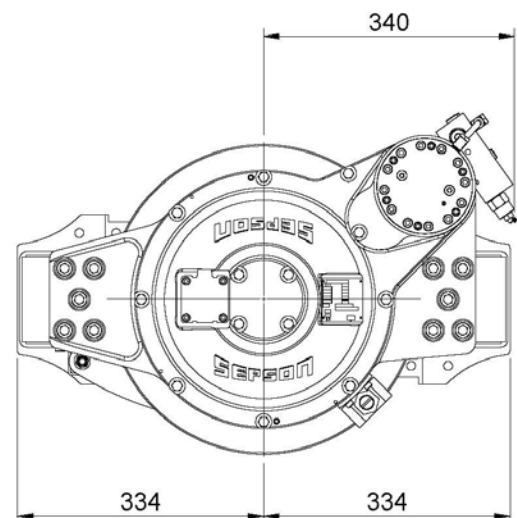
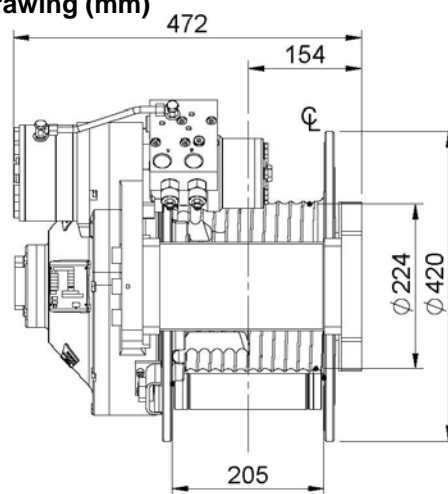
120 kN  
78 kN

4 m/min  
6 m/min

200 bar  
70 l/min

224 mm  
16 mm  
60 m  
≥ 240 kN  
5

210 kg  
67 kg



Compliant to EN 14492-1 and SAE J706

