

WORLD CLASS WINCHES

RELIABLE – DEPENDABLE – UNCOMPLICATED



SEPDURANCE H150

Rope "under wound"

Technical Data

Freespool clutch

Max. pulling force in low speed mode*

- bottom rope layer
- top rope layer

Max. rope speed in low speed mode*

- bottom rope layer
- top rope layer

Maximum rope speed in high speed mode

- bottom rope layer
- top rope layer

Maximum oil pressure

Maximum oil flow

Rope drum diameter

Rope diameter

Rope length

Rope MBL (EN 14492-1)

Number of rope layers

Winch weight

Rope weight

Dimensional drawing (mm)

Product # 63.34-043

Pneumatic

150 kN
105 kN

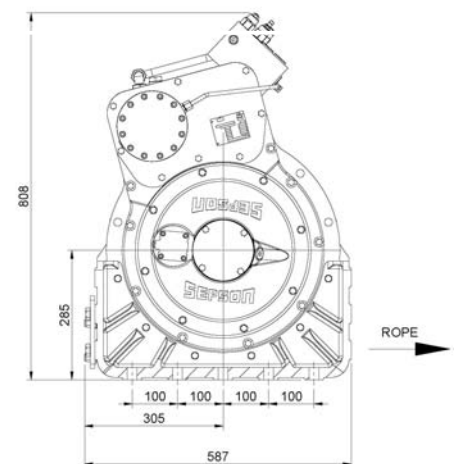
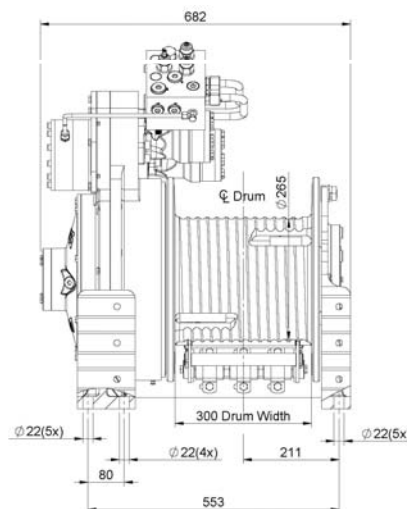
6.0 m/min
8.0 m/min

14 m/min
20 m/min

175 bar
80 l/min

266 mm
20 mm
60 m
≥ 300 kN
4

395 kg
130 kg



Compliant to EN 14492-1

