

WORLD CLASS WINCHES

RELIABLE – DEPENDABLE – UNCOMPLICATED



SEPDURANCE H150

Rope "over wound"

Technical Data

Freespool clutch

Max. pulling force in low speed mode*

- bottom rope layer
- top rope layer

Max. rope speed in low speed mode*

- bottom rope layer
- top rope layer

Maximum rope speed in high speed mode

- bottom rope layer
- top rope layer

Maximum oil pressure

Maximum oil flow

Rope drum diameter

Rope diameter

Rope length

Rope MBL (EN 14492-1)

Number of rope layers

Winch weight

Rope weight

Dimensional drawing (mm)

Product # 63.34-044

Pneumatic

150 kN

105 kN

6.0 m/min

8.0 m/min

14 m/min

20 m/min

175 bar

80 l/min

266 mm

20 mm

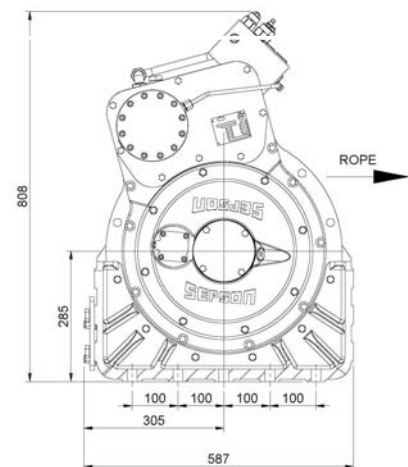
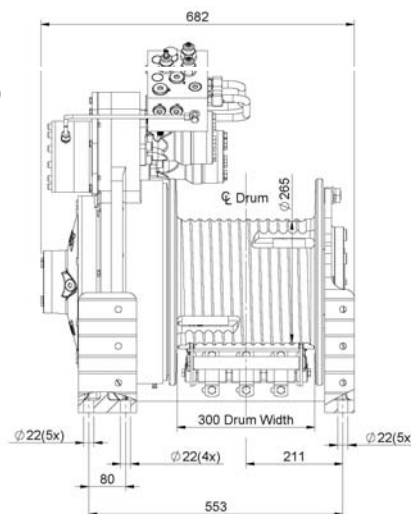
60 m

≥ 300 kN

4

395 kg

130 kg



Compliant to EN 14492-1

