

# WORLD CLASS WINCHES

RELIABLE – DEPENDABLE – UNCOMPLICATED



## SEPDURANCE H200

Rope "under wound"

### Technical Data

**Freespool clutch**

**Max. pulling force in low speed mode\***

- bottom rope layer
- top rope layer

**Max. rope speed in low speed mode\***

- bottom rope layer
- top rope layer

**Maximum rope speed in high speed mode**

- bottom rope layer
- top rope layer

**Maximum oil pressure**

**Maximum oil flow**

**Rope drum diameter**

**Rope diameter**

**Rope length**

**Rope MBL (EN 14492-1)**

**Number of rope layers**

**Winch weight**

**Rope weight**

**Dimensional drawing (mm)**

**Product # 63.34-077**

Pneumatic

200 kN  
140 kN

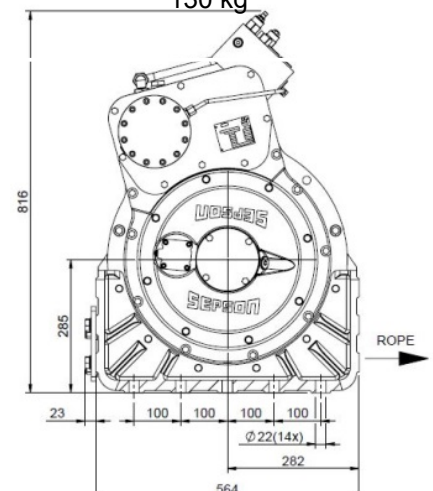
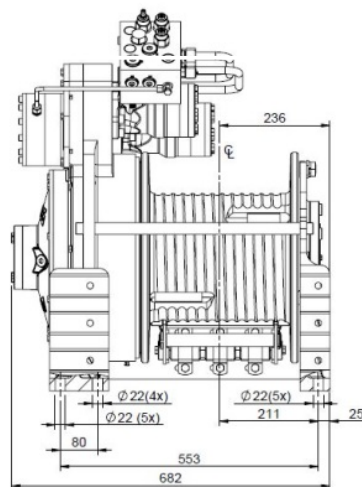
3 m/min  
5 m/min

11 m/min  
16 m/min

200 bar  
80 l/min

266 mm  
20 mm  
60 m  
≥ 400 kN  
4

400 kg  
130 kg



Compliant to EN 14492-1

