

WORLD CLASS WINCHES

RELIABLE – DEPENDABLE – UNCOMPLICATED



SEPMATIC H80

Technical Data

Freespool clutch

Max. pulling force

- bottom rope layer
- top rope layer

Max. rope speed

- bottom rope layer
- top rope layer

Maximum oil pressure

Maximum oil flow

Rope drum diameter

Rope diameter

Rope length

Rope MBL (EN 14492-1)

Number of rope layers

Winch weight

Rope weight

Dimensional drawing (mm)

Product # 73.08-004

Hydraulic/Pneumatic

80 kN

50 kN

7 m/min

11 m/min

175 bar

60 l/min

126 mm

12 mm

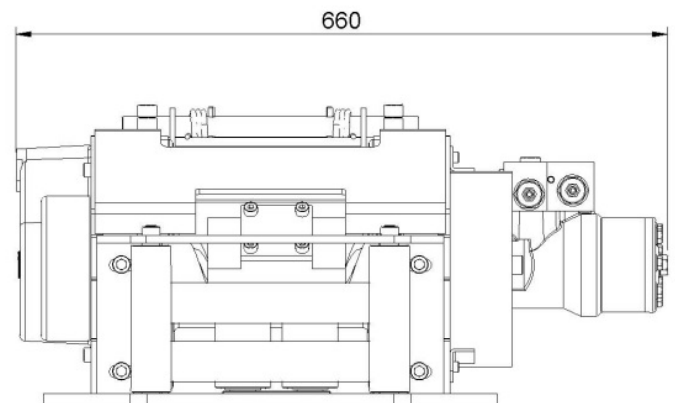
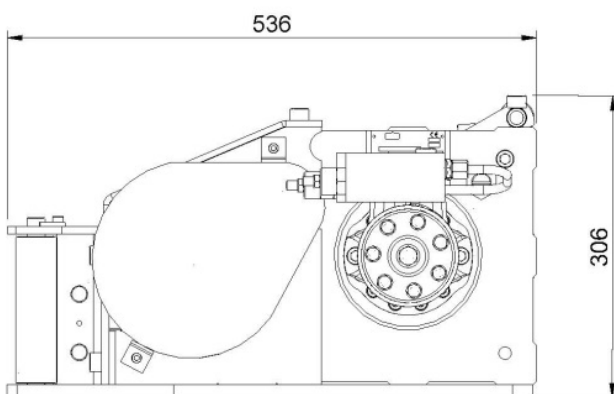
40 m

≥ 160 kN

4

140 kg

30 kg



Compliant to EN 14492-1 and SAE J706

